

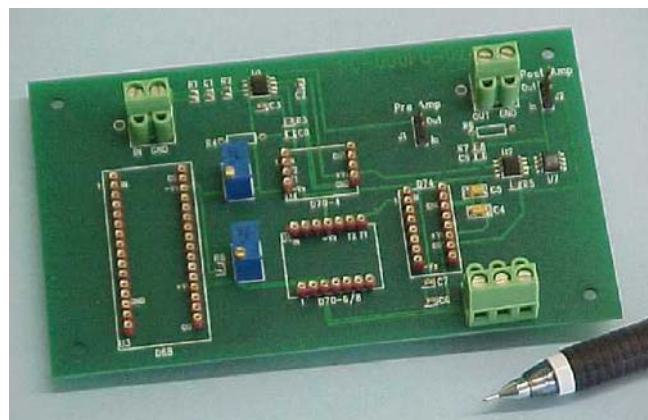


Single Channel Filter Mounting Assembly

For Fixed Frequency Filters

Description

The FMA-01S, Filter Mounting Assembly eliminates the need to breadboard or hand-wire filter modules into individual test set-ups. FMA-01S's are factory assembled 3" x 5" printed-circuit boards with socket pins for filter insertion, various electronic components, and screw terminal connections for power and signal input/output. The FMA-01S operates with any of the D61, D64, D66, D68, D70, D72, D74, D76 or D78 Series filter modules.



Features/Benefits

- No more building of breadboards.
- Utilized as a single channel bench-top test set or rack mounted via mounting holes for instrumentation applications.
- Accepts a broad range of filter modules allowing for selected cut-off frequencies and transfer functions specific to each application.
- Provide quick and easy connection between circuit card and wired electrical circuits.
- All external connections are easily made with a screwdriver, reducing engineering design, set-up and test time.

Applications

- Aerospace, navigation, sonar applications
- ATE, research and development
- Automotive and transportation
- Communication systems and electronics
- Data acquisition systems
- Industrial process control
- Medical electronics equip. and research
- Sound and vibration testing
- Noise elimination
- Signal reconstruction

Low-Pass Filters Available

D61	4-pole	0.05 Hz to 1.00 Hz
D64	4-pole	1.00 Hz to 100.0 kHz
D66	6-pole	1.00 Hz to 100.0 kHz
D68	8-pole	1.00 Hz to 100.0 kHz
D70	4, 6, 8-pole	100 Hz to 50.0 kHz
D72	2-pole	1.00 Hz to 100 kHz
D74	4-pole	1.00 Hz to 100 kHz
D76	6-pole	1.00 Hz to 100 kHz
D78	8-pole	1.00 Hz to 100 kHz
D100	4 & 8-pole	100 Hz to 100 kHz

High-Pass Filters Available

D61	4-pole	0.05 Hz to 1.00 Hz
D64	4-pole	1.00 Hz to 100.0 kHz
D66	6-pole	1.00 Hz to 100.0 kHz
D68	8-pole	1.00 Hz to 100.0 kHz
D70	4, 6, 8-pole	100 Hz to 50.0 kHz
D72	2-pole	1.00 Hz to 100 kHz
D74	4-pole	1.00 Hz to 100 kHz
D76	6-pole	1.00 Hz to 100 kHz
D78	8-pole	1.00 Hz to 100 kHz
D101	8-pole	1.0 kHz to 500 kHz

Band-Pass Filters Available

D64BP	2-pole pair	1.00 Hz to 100.0 kHz
D68BP	4-pole pair	1.00 Hz to 100.0 kHz
D100	2-pole pair	100 Hz to 100.0 kHz

Band-Reject (Notch) Filters Available

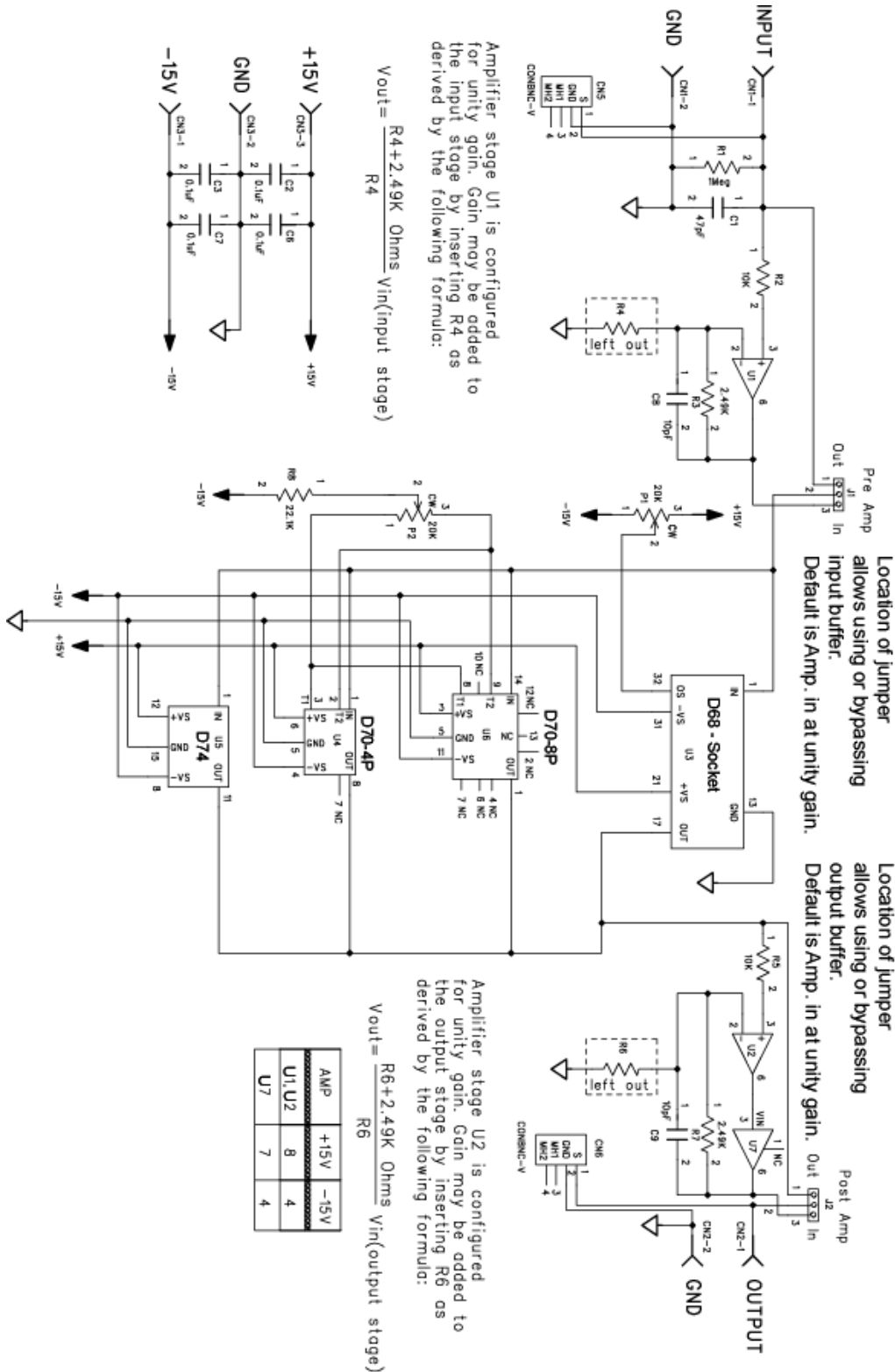
D68BR	4-pole pair	1.00 Hz to 100.0 kHz
-------	-------------	----------------------

Special notes

- Provision for bypass of I/O buffers.
- Provision for gain adjustment of I/O buffers.
- Enhanced output current to drive cables.



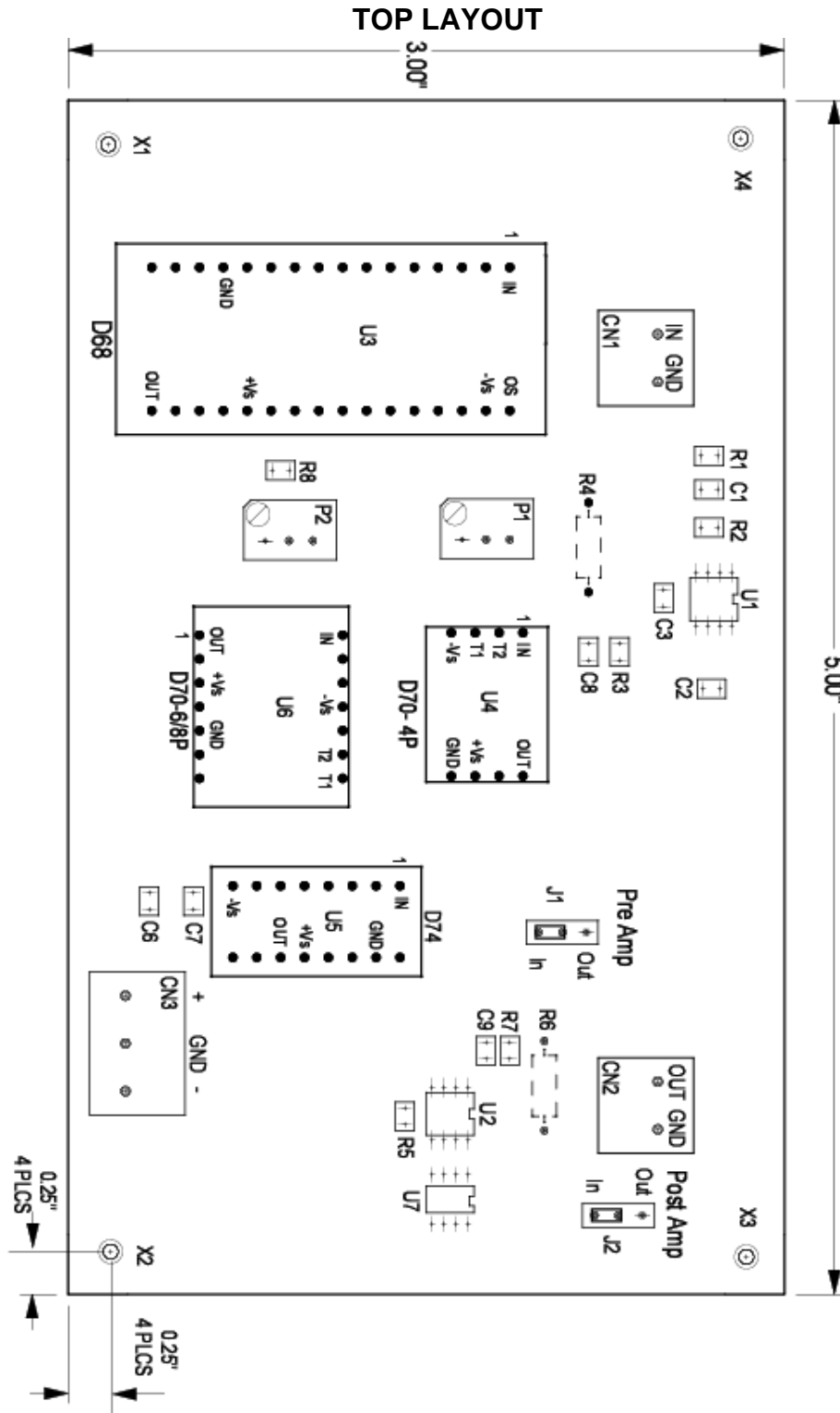
SCHEMATIC





For Fixed Frequency Filters

Single Channel
Filter Mounting Assembly



We hope the information given here will be helpful. The information is based on data and our best knowledge, and we consider the information to be true and accurate. Please read all statements, recommendations or suggestions herein in conjunction with our conditions of sale which apply to all goods supplied by us. We assume no responsibility for the use of these statements, recommendations or suggestions, nor do we intend them as a recommendation for any use which would infringe any patent or copyright. PR-FMA01S